

PLANS

WISCONSIN DEPARTMENT OF
NATURAL RESOURCES
MADISON, WISCONSIN

REFUSE HIDEAWAY LANDFILL PROJECT NO. 14 RRSP TOWN OF MIDDLETON, WISCONSIN

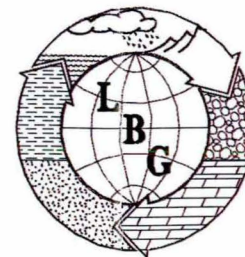
LIST OF DETAILS

- 1 AREA LOCATION MAP
- 2 SITE MAP
- 3 SOUTH BRANCH MODIFICATIONS - OVERVIEW
- 4 SOUTH BRANCH MODIFICATIONS - PLAN VIEW
WITH MATERIAL QUANTITIES
- 5 1 REDUNDANCY LINE CONNECTION AT GW9 PLAN
- 5 2 REDUNDANCY LINE CONNECTION AT GW9 PROFILE
- 6 1 GW4 CONNECTION PLAN
- 6 2 GW4 CONNECTION PROFILE
- 7 1 GW5 CONNECTION PLAN
- 7 2 GW5 SHORT LATERAL CONNECTION PROFILE
- 7 3 GW5 LONG LATERAL CONNECTION PROFILE

REVISION 0

PREPARED BY

LEGGETTE, BRASHEARS & GRAHAM, INC.



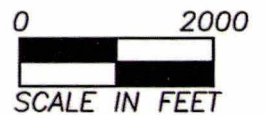
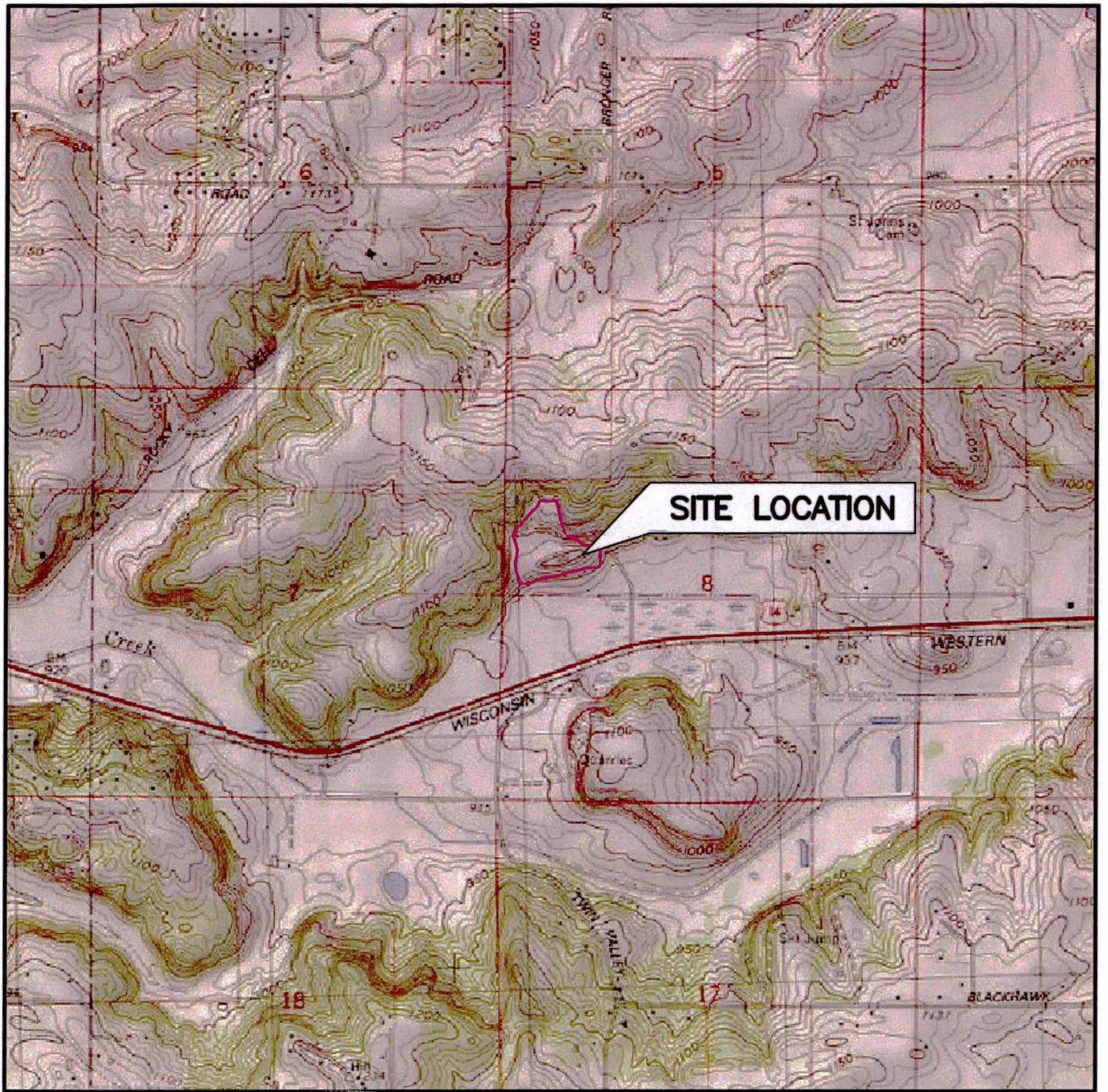
I HEREBY CERTIFY THAT I AM A REGISTERED PROFESSIONAL ENGINEER
IN THE STATE OF WISCONSIN, REGISTERED IN ACCORDANCE WITH
THE REQUIREMENTS OF CH. A-E4, WIS. ADM. CODE, AND THAT THIS
DOCUMENT HAS BEEN PREPARED IN ACCORDANCE WITH THE RULES
OF PROFESSIONAL CONDUCT IN CH. A-E8, WIS. ADM. CODE.




Jennifer A. Shelton
March 27, 2014

J:\REFUSE HIDEAWAY\DESIGN\FIGURES\PLAN COVER.DOCX



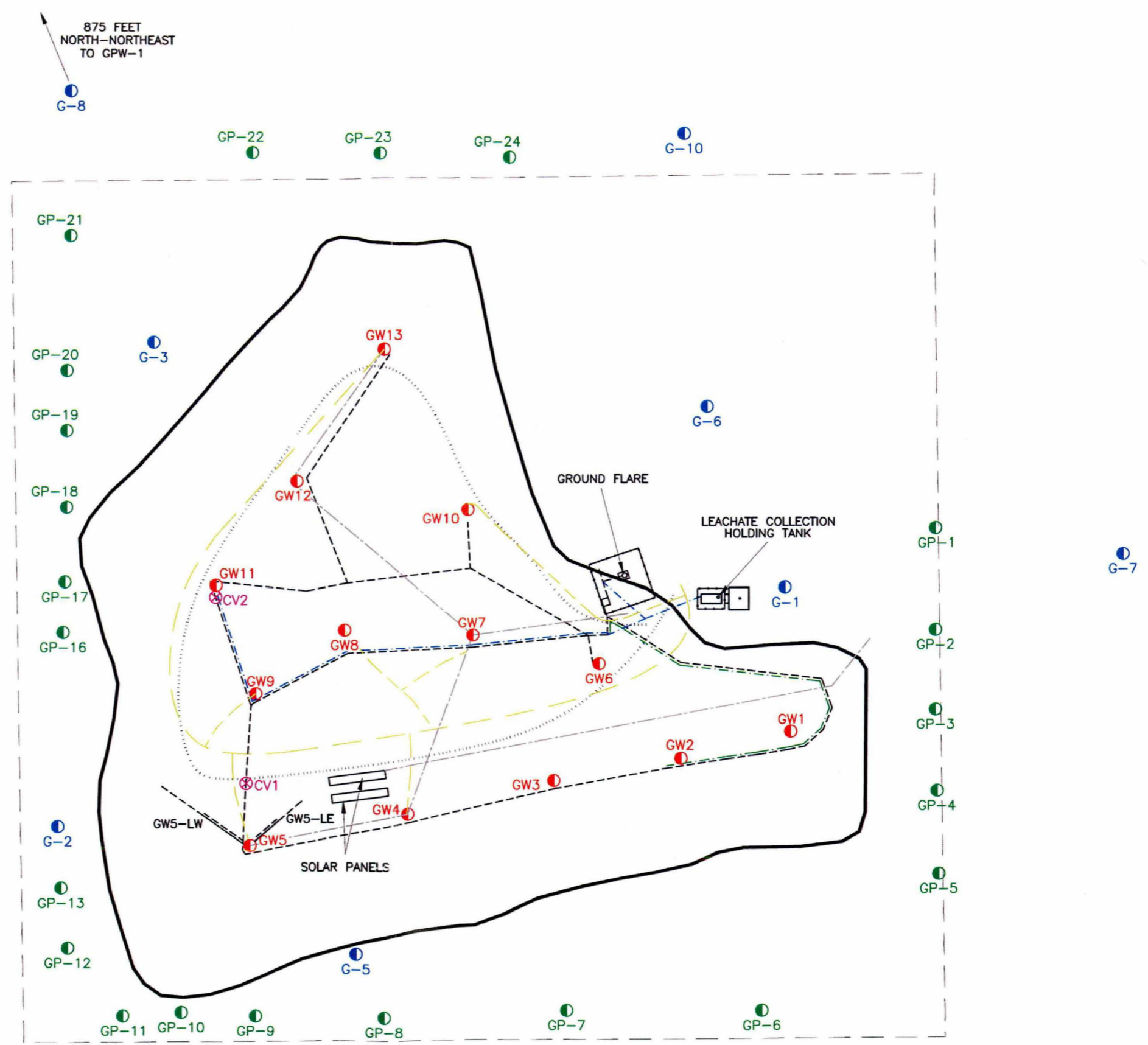


U.S.G.S TOPOGRAPHIC
 7.5 MINUTE QUADRANGLE

DATE: 01/30/14 REVISION: 0 DISK: \\RefuseHideaway\Figures FILE: Area Location.dwg DRAWN: ALB CHECKED: JAS		PREPARED BY: LEGGETTE, BRASHEARS & GRAHAM, INC. Professional Groundwater and Environmental Engineering Services 6409 Odana Road, Suite 11 Madison, WI 53719 (608) 441-5544		WISCONSIN DEPARTMENT OF NATURAL RESOURCES REFUSE HIDEAWAY LANDFILL 7562 U.S. HIGHWAY 14 MIDDLETON, WISCONSIN 53562 <hr/> AREA LOCATION MAP		FIGURE: 
--	--	---	--	---	--	---

LEGEND

- EXISTING LEACHATE/GAS EXTRACTION WELL LOCATION
- GAS PROBE LOCATION ("G" SERIES)
- GAS PROBE LOCATION ("GP" SERIES)
- CONTROL VALVE LOCATION
- PROPERTY BOUNDARY
- FILL LIMITS
- GAS HEADER PIPE
- LEACHATE CONVEYANCE PIPE
- LEACHATE CONVEYANCE PIPE (NEVER PUT IN SERVICE)
- FENCE LINE
- ACCESS ROAD
- ELECTRICAL
- AIR LINE



NOTE: FENCES AROUND WELLHEADS ARE NOT SHOWN. FENCE ENCLOSURES MEASURING 4'x7' ARE LOCATED AT ALL LEACHATE/GAS EXTRACTION WELL LOCATIONS EXCEPT GW5.

Prepared By:
LEGGETTE, BRASHEARS & GRAHAM, INC.
 Professional Groundwater and
 Environmental Engineering Services
 6409 Odana Road, Suite 11
 Madison, WI 53719
 608.441.5544

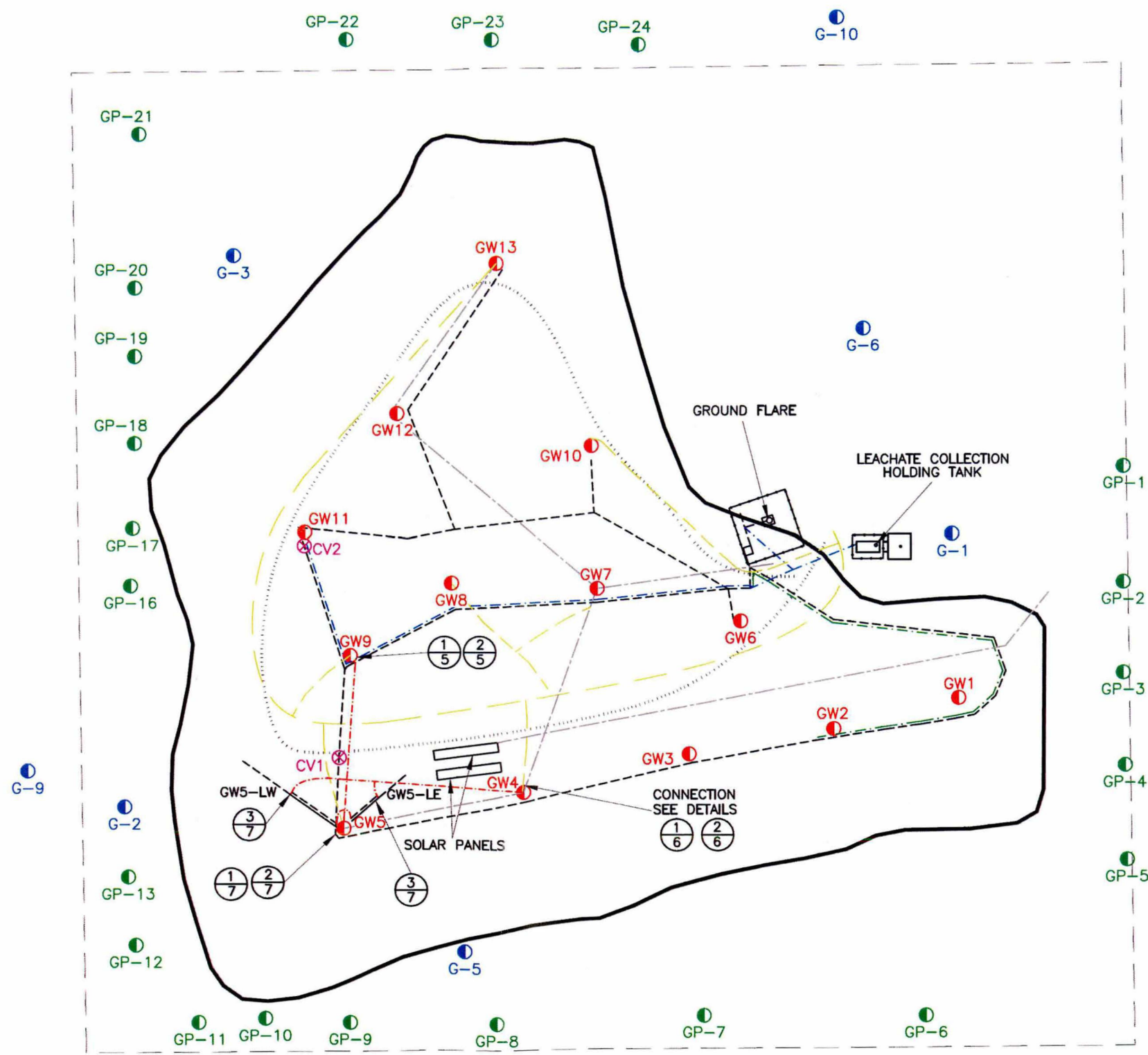


REVISED	5/02
---------	------

LEGEND

- EXISTING LEACHATE/GAS EXTRACTION WELL LOCATION
- GAS PROBE LOCATION ("G" SERIES)
- GAS PROBE LOCATION ("GP" SERIES)
- CONTROL VALVE LOCATION
- PROPERTY BOUNDARY
- FILL LIMITS
- GAS HEADER PIPE
- LEACHATE CONVEYANCE PIPE
- LEACHATE CONVEYANCE PIPE (NEVER PUT IN SERVICE)
- FENCE LINE
- ACCESS ROAD
- ELECTRICAL
- AIR LINE
- NEW GAS HEADER PIPING

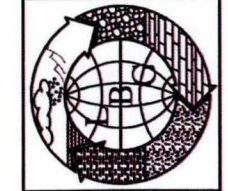
875 FEET
NORTH-NORTHEAST
TO GPW-1



NOTE: ALL LOCATIONS ARE APPROXIMATE

NOTE: FENCES AROUND WELLHEADS ARE NOT SHOWN.
FENCE ENCLOSURES MEASURING 4'x7' ARE LOCATED AT ALL
LEACHATE/GAS EXTRACTION WELL LOCATIONS EXCEPT GW5.

Prepared By:
LEGGETTE, BRASHEARS & GRAHAM, INC.
Professional Groundwater and
Environmental Engineering Services
6409 Odana Road, Suite 11
Madison, WI 53719
608.441.5544



REVISED	5/02

LEGEND

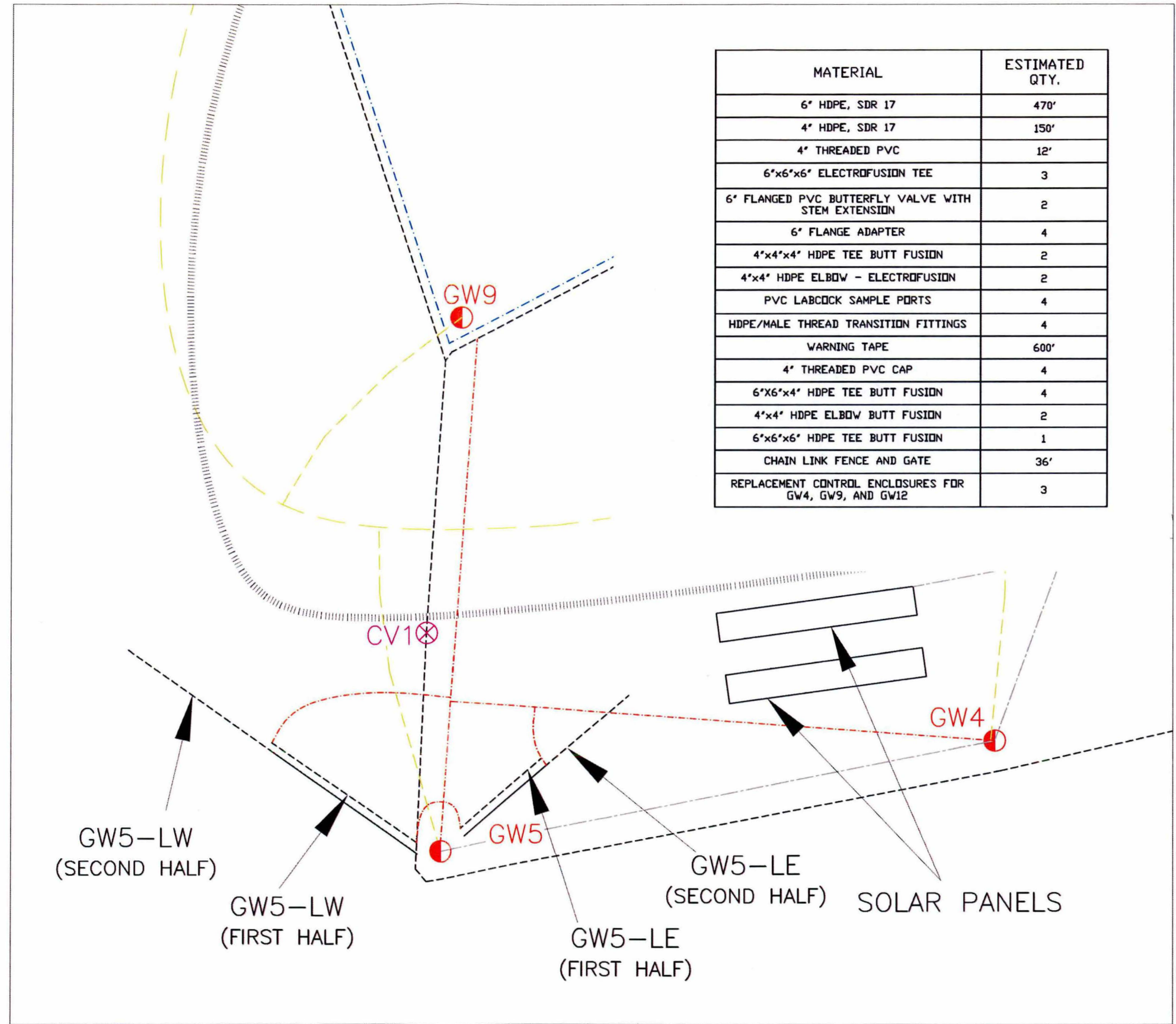
- EXISTING LEACHATE/GAS EXTRACTION WELL LOCATION
- GAS PROBE LOCATION ("G" SERIES)
- GAS PROBE LOCATION ("GP" SERIES)
- CONTROL VALVE LOCATION
- PROPERTY BOUNDARY
- FILL LIMITS
- GAS HEADER PIPE
- LEACHATE CONVEYANCE PIPE
- LEACHATE CONVEYANCE PIPE (NEVER PUT IN SERVICE)
- FENCE LINE
- ACCESS ROAD
- ELECTRICAL
- AIR LINE
- NEW GAS HEADER PIPING

NOTE: NOT ALL INCIDENTAL MATERIALS ARE LISTED (I.E. SEEDING, FENCE REPAIR, ETC.)

NOTE: USE ELECTROFUSION FITTINGS TO CONNECT TO EXISTING PIPING. USE BUTT FUSION FOR REMAINING HDPE CONNECTIONS.



NOTE: ALL LOCATIONS ARE APPROXIMATE

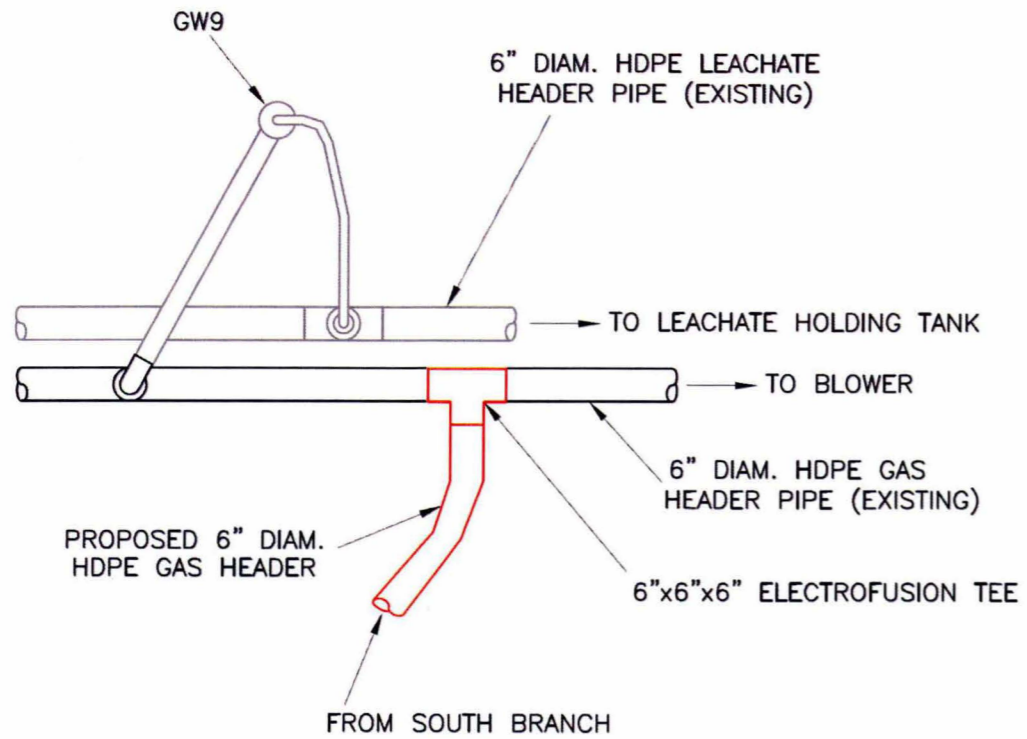


MATERIAL	ESTIMATED QTY.
6" HDPE, SDR 17	470'
4" HDPE, SDR 17	150'
4" THREADED PVC	12'
6"x6"x6" ELECTROFUSION TEE	3
6" FLANGED PVC BUTTERFLY VALVE WITH STEM EXTENSION	2
6" FLANGE ADAPTER	4
4"x4"x4" HDPE TEE BUTT FUSION	2
4"x4" HDPE ELBOW - ELECTROFUSION	2
PVC LABCOCK SAMPLE PORTS	4
HDPE/MALE THREAD TRANSITION FITTINGS	4
WARNING TAPE	600'
4" THREADED PVC CAP	4
6"x6"x4" HDPE TEE BUTT FUSION	4
4"x4" HDPE ELBOW BUTT FUSION	2
6"x6"x6" HDPE TEE BUTT FUSION	1
CHAIN LINK FENCE AND GATE	36'
REPLACEMENT CONTROL ENCLOSURES FOR GW4, GW9, AND GW12	3

Prepared By:
LEGGETTE, BRASHEARS & GRAHAM, INC.
 Professional Groundwater and
 Environmental Engineering Services
 6409 Odana Road, Suite 11
 Madison, WI 53719
 608.441.5544

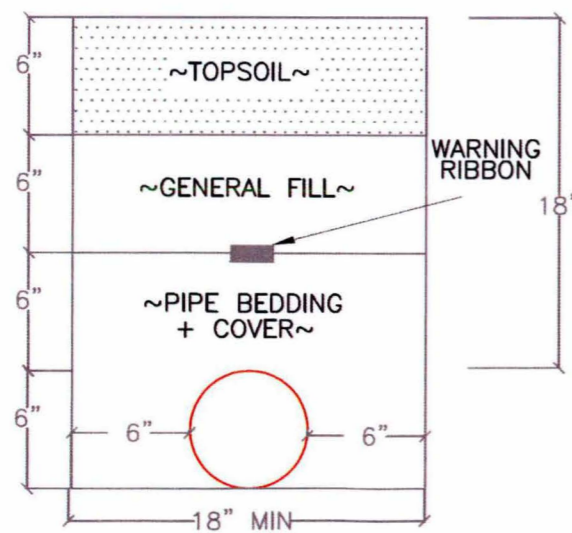


REVISED	5/02
---------	------

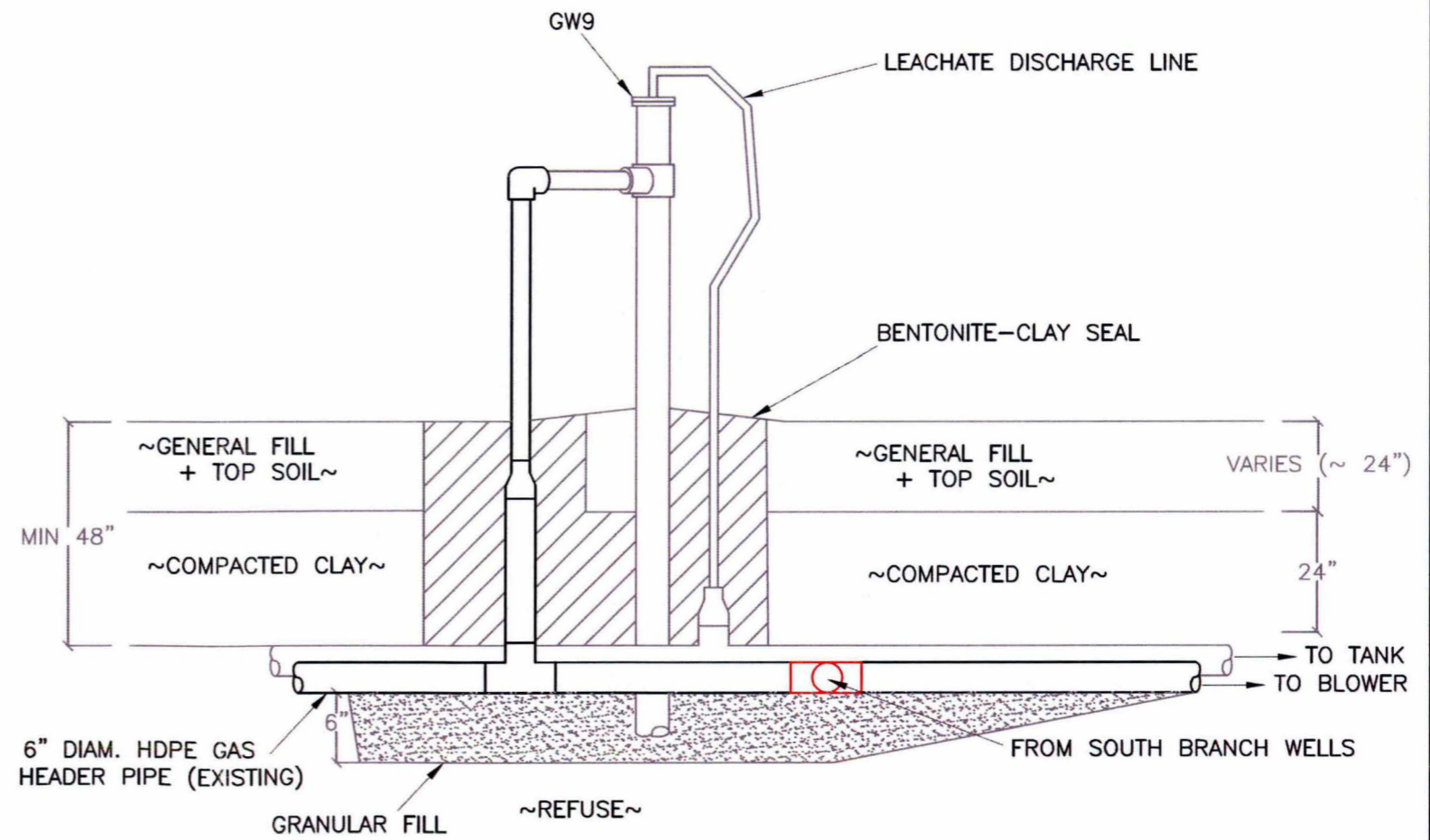


PROPOSED EQUIPMENT
SHOWN IN RED

1 REDUNDANCY LINE CONNECTION AT GW9 - PLAN
5 NOT TO SCALE

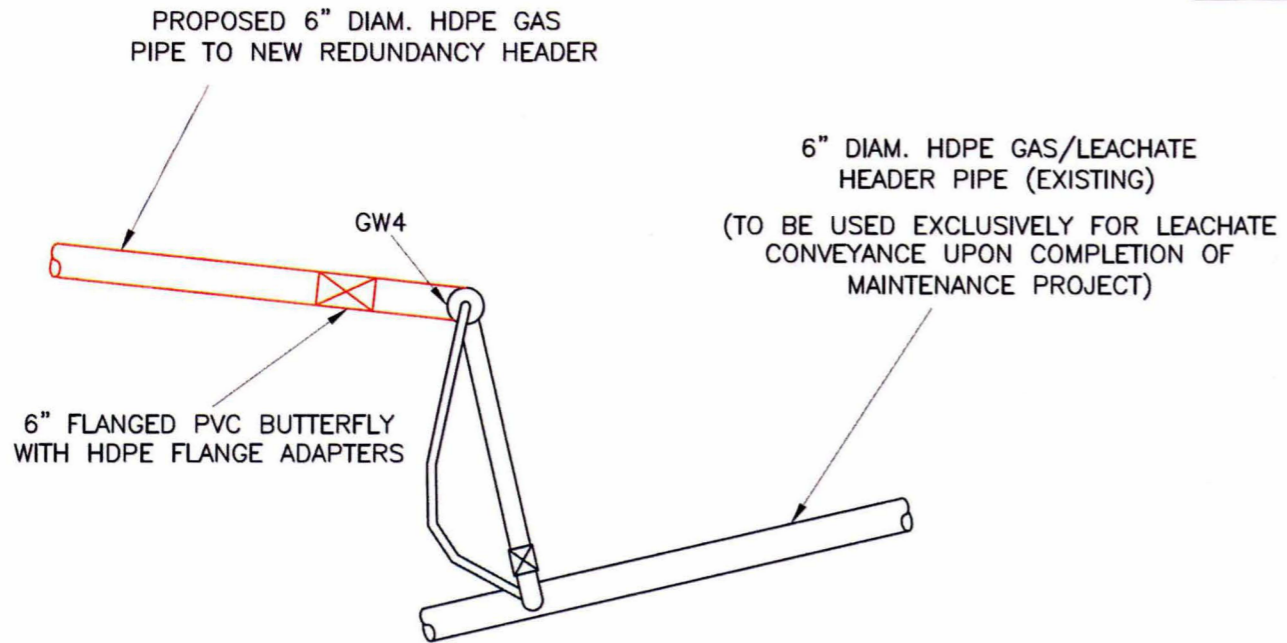


3 TYPICAL TRENCH CROSS SECTION
5 NOT TO SCALE

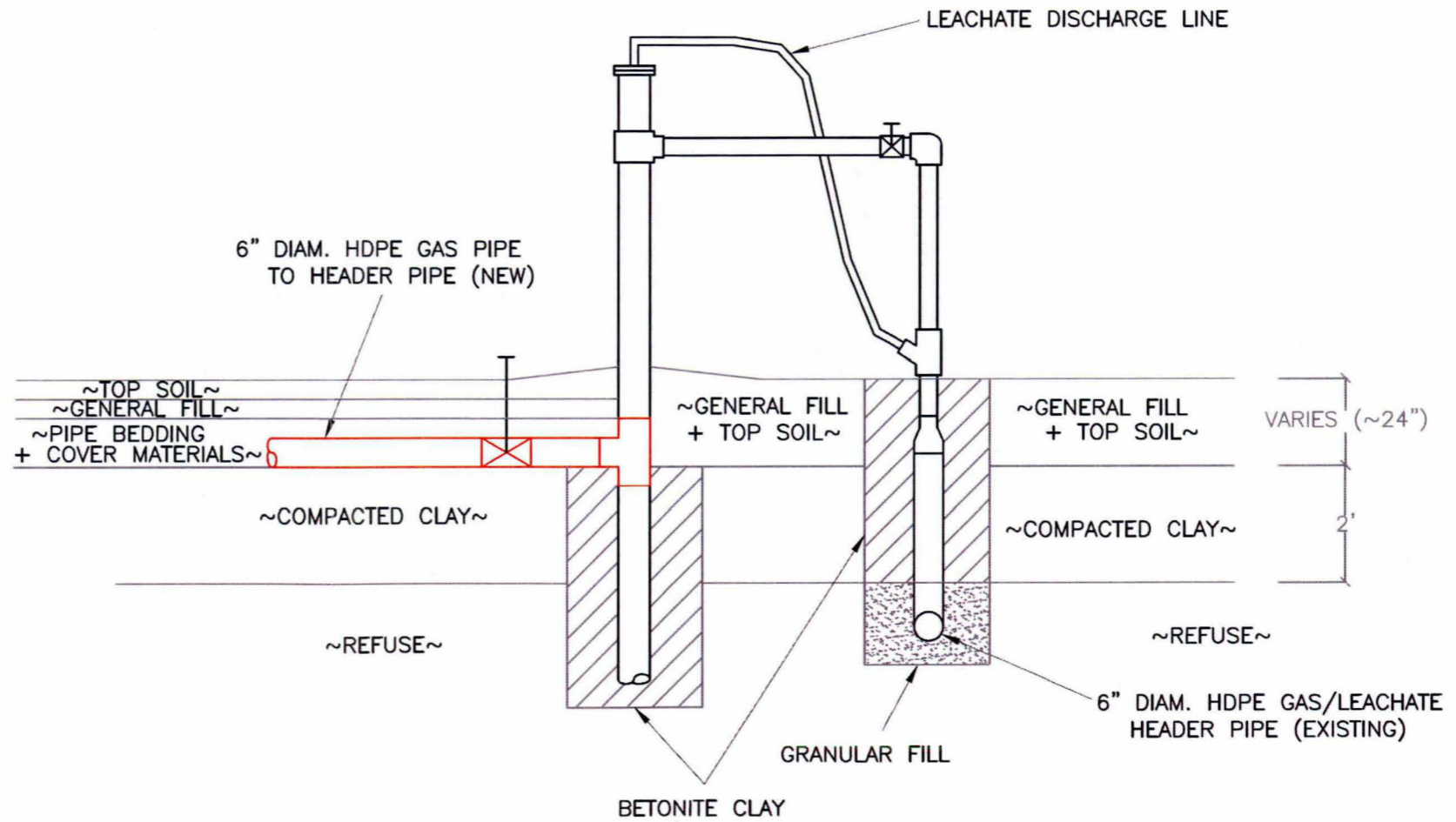


2 REDUNDANCY LINE CONNECTION AT GW9 - PROFILE
5 NOT TO SCALE

PROPOSED EQUIPMENT
SHOWN IN RED



1 GW4 CONNECTION - PLAN
6 NOT TO SCALE

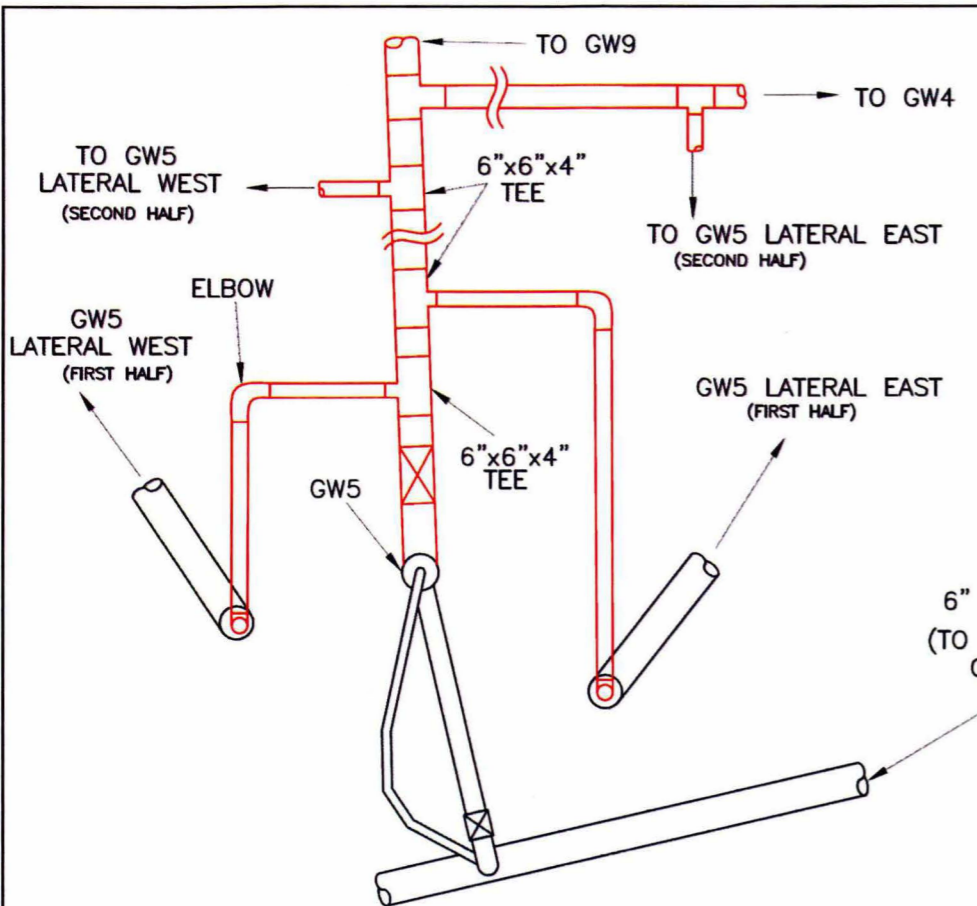


2 GW4 CONNECTION - PROFILE
6 NOT TO SCALE

Prepared By:
LEGGETTE, BRASHEARS & GRAHAM, INC.
Professional Groundwater and
Environmental Engineering Services
6409 Odana Road, Suite 11
Madison, WI 53719
608.441.5544



REVISED
1/13

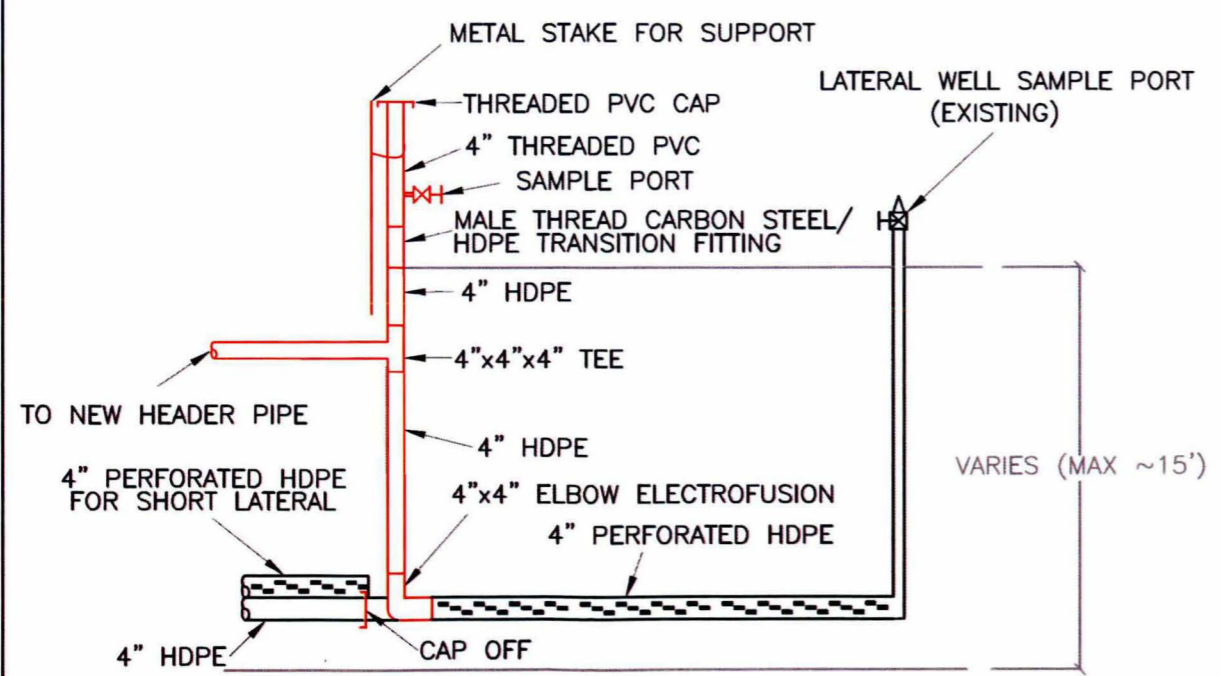


PROPOSED EQUIPMENT SHOWN IN RED

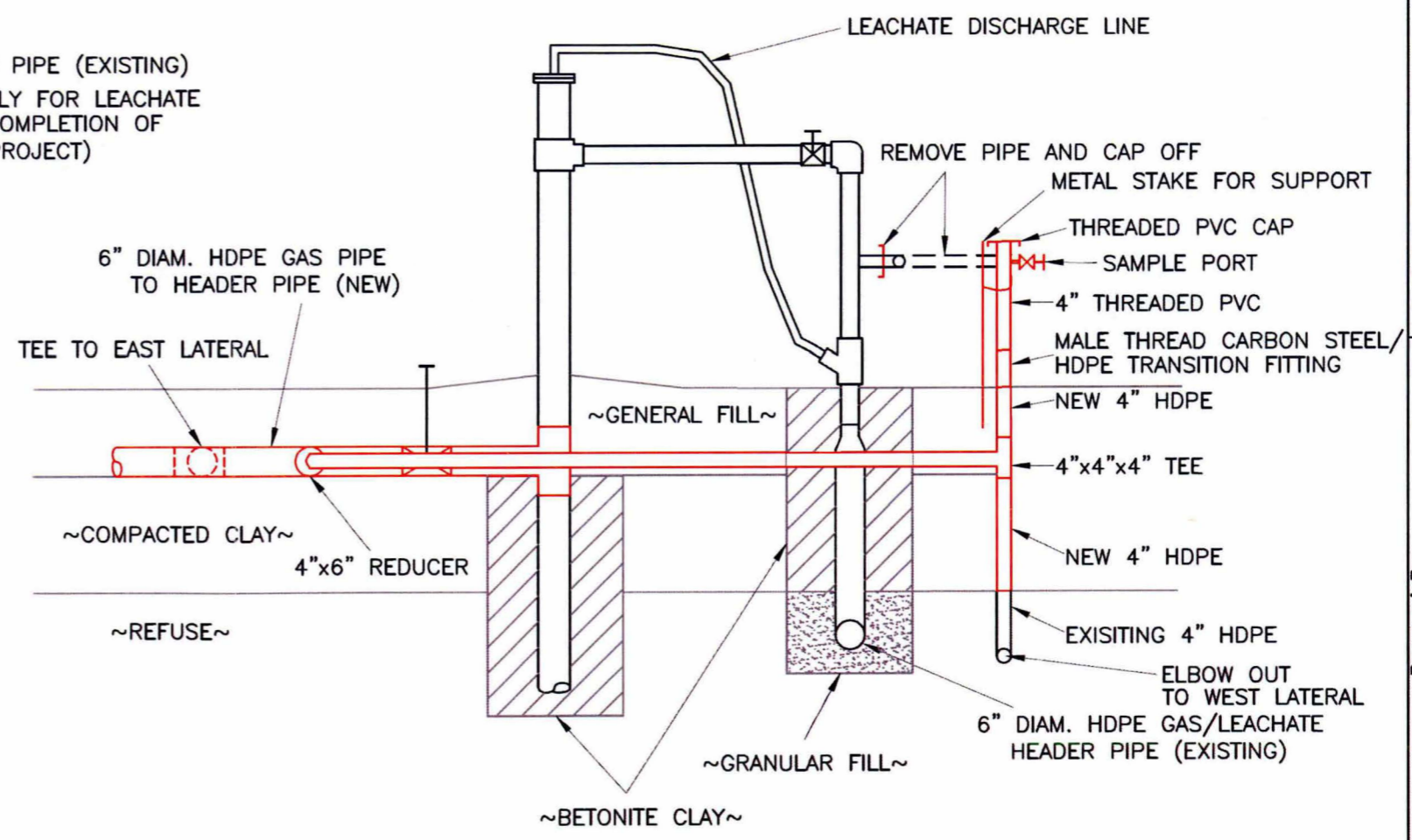
NOTE: GW5 EAST LATERAL NOT SHOWN ON THIS DETAIL (CONNECTION TO EAST LATERAL WILL BE A MIRROR OF THE WEST LATERAL CONNECTION)

6" DIAM. HDPE HEADER PIPE (EXISTING)
(TO BE USED EXCLUSIVELY FOR LEACHATE CONVEYANCE UPON COMPLETION OF MAINTENANCE PROJECT)

1 GW5 CONNECTION - PLAN
7 NOT TO SCALE



3 GW5 SECOND HALF LATERAL CONNECTION - PROFILE
7 NOT TO SCALE



2 GW5 FIRST HALF LATERAL CONNECTION - PROFILE
7 NOT TO SCALE

WISCONSIN DEPARTMENT OF NATURAL RESOURCES
REFUSE HIDEAWAY LANDFILL
MIDDLETON, WI

FILE: MODIFICATIONS.DWG DATE: FEBRUARY 2014 FIGURE: 7

Prepared By:
LEGGETTE, BRASHEARS & GRAHAM, INC.
Professional Groundwater and
Environmental Engineering Services
6409 Odana Road, Suite 11
Madison, WI 53719
608.441.5544

REVISIONS
1/13

GW5 MODIFICATIONS